

10/100/1000M ETHERNET OPTICAL TRANSCEIVER GGM 840SFP

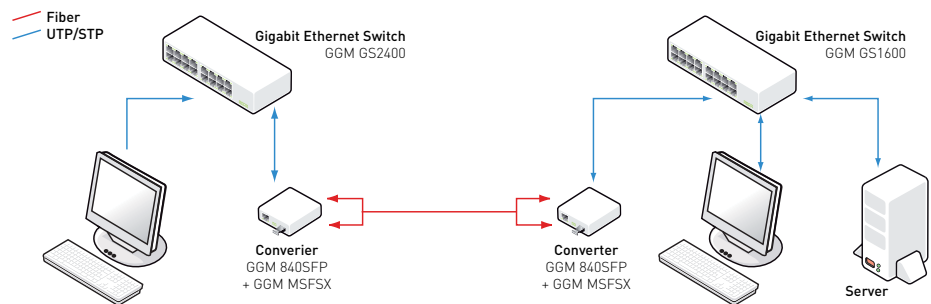


10/100/1000

Compact size

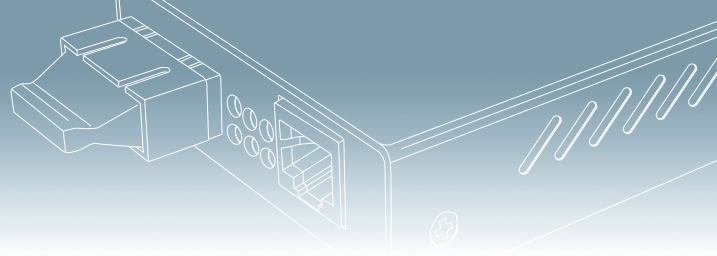
The **GGM 840SFP** 10/100/1000 to 1000SX/LX (SFP) media converter is specifically designed to offer fiber advantages for those who they need of large bandwidth on long distance. This media converter is completely transparent when installed, so the network will performs exactly the way it would do normally.

The empty slot offer you the possibility to use multimode or singlemode fiber on the same media converter.



MAIN FEATURES

- Standard Protocol: IEEE802.3 10 Base-T standard, IEEE 802.3u 100Base-TX and IEEE802.3z standard
- Built in high efficiency SRAM for packet buffer, with 1K-entry lookup table and 4-way associative hash algorithm
- Half duplex: back pressure flow control - Full duplex: IEEE802.3x flow control
- Automatic identification of MDI/MDI-X cross line
- Support jumbo packet 9K Bytes
- Both external and internal power supply are available
- Fiber connector: Choice from SC,ST,FC or LC connector for multimode and single mode
- LED display for easy monitoring of device status
- Transmission distance can reach 550M for multimode and 120KM for single mode
- Can be rack mounted in 14 slots chassis(external Power supply)
- In conformity to safety code of FCC and 15 CLASS A and CE MARK



TECHNICAL SPECIFICATIONS

STANDARD PROTOCOL

IEEE802.3 10 Base-T standard
IEEE 802.3u 100Base-TX
IEEE802.3z standard

CONNECTOR

1x UTP RJ-45 connector
1x SC

OPERATION MODE

Full duplex mode or half duplex mode

POWER SUPPLY PARAMETER

Adapter (External) 110-265 V AC (48 V DC) input, 5 V 1 A DC output

FREQUENCIES

47 ~ 63 Hz

TP CABLE

Cat5 UTP cable

TRANSFER FIBER

Multimode 50/125, 62.5/125 μm
Singlemode 9/125 μm (via SFP modules)

ENVIRONMENTAL TEMPERATURE

0°C ~ 60°C

HUMIDITY

5% ~ 90%

CERTIFICATION

FCC Part 15 of Class A Approved CE

DIMENSIONS

109.2 x 73.8 x 23.4 mm (L x W x H)

WEIGHT

160 g

PART NUMBER

P/N	DESCRIPTION
GGM 840SFP	10/100/1000 M Ethernet Optical Transceiver
GGM FIXCONV2	Converter support for DIN rail
GGM MSFPSX	SFP-SX-1250 Mbps, Multimode, 850 nm, 550 m = 8.5 dB, 3.3/5 V, LC
GGM MSFPLX	SFP-LX-1250 Mbps, Singlemode, 1310 nm, 10 km = 10.5 dB, 3.3/5 V, LC

YOUR POINT OF CONTACT