

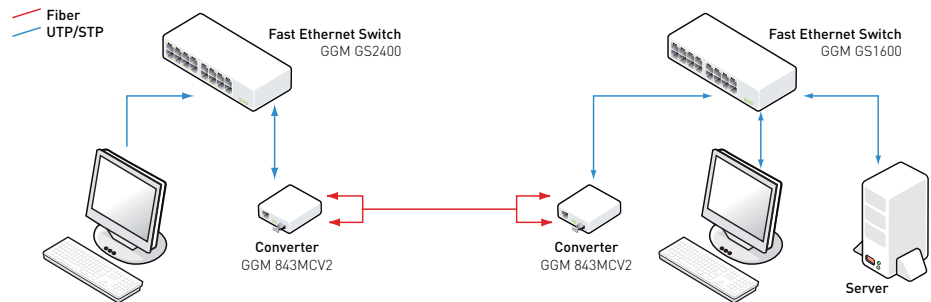
10/100/1000M ETHERNET OPTICAL TRANSCEIVER GGM 843MCV2



10/100/1000

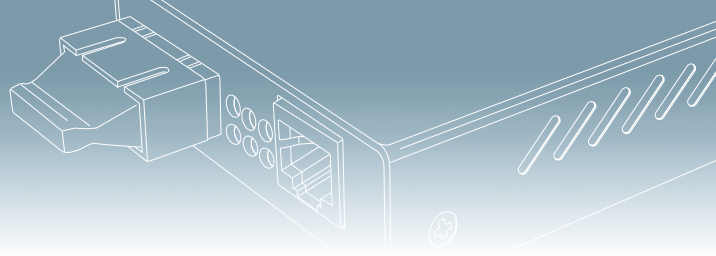
Compact size

The **GGM 843MCV2** 10/100/1000 to 1000SX media converter is specifically designed to offer fiber advantages for those who they need of large bandwidth on long distance. This media converter is completely transparent when installed, so the network will performs exactly the way it would do normally. The only thing is to allow your "RJ 45" copper network to be connected on long distance via the Fiber in SC.



MAIN FEATURES

- In conformity to IEEE 802.3 10 Base-T standard. In conformity to IEEE 802.3u 100 Base-TX, IEEE802.3z, IEEE802.3abstandard
- Built in high efficiency SRAM for packet buffer, with 1K-entry lookup table and 4-way associative hash algorithm
- Half duplex: back pressure flow control
- Full duplex: IEEE802.3x flow control
- Automatic identification of MDI/MDI-X cross line
- Support jumbo packet 9K Bytes
- In conformity to safety code of FCC and 15 CLASS A and CE MARK



TECHNICAL SPECIFICATIONS

STANDARD PROTOCOL

IEEE802.3 10 Base-T standard
IEEE 802.3u 100Base-TX
IEEE802.3z standard

CONNECTOR

1x UTPRJ-45 connector
1x SC

OPERATION MODE

Full duplex mode or half duplex mode

POWER SUPPLY PARAMETER

Adapter (External) 110-265 V AC (48 V DC) input, 5 V 1 A DC output

FREQUENCIES

47 ~ 63 Hz

TP CABLE

Cat5 UTP cable

TRANSFER FIBER

Multimode 50/125, 62.5/125 μ m

ENVIRONMENTAL TEMPERATURE

0°C ~ 60°C

HUMIDITY

5% ~ 90%

CERTIFICATION

FCC Part 15 of Class A Approved CE

DIMENSIONS

109.2 x 73.8 x 23.4 mm (L x W x H)

WEIGHT

160 g

YOUR POINT OF CONTACT