

PoE ENABLE 10/100BASE-TX TO 100BASE-FX SC MULTIMODE GGM 901SCP



Full wire speed performance

Comprehensive configuration options

Best conversion latency

Remote Loop back test

Optional Din-Rail mounting

Powered by PoE, AC adapter, USB

Options for Bi-Di communication

Options for CWDM

The **GGM 901SCP** are designed to convert 10Base-T or 100Base-T signals to/from 100Base-FX fiber signals. These converters are used to extend the connection distance between two Ethernet devices via fiber cable transparently with no performance degradation. The variety of fiber options supported includes not only multimode short reach, but also Bi-Di WDM and CWDM fiber network applications. Because of 802.3af compliance, the converters can draw the power via Cat.5e cable connected to a PoE PSE switch or mis-span injector. This feature makes the converter ideal for remote areas of a network without AC power outlets.

PRODUCT FEATURES

- Smart forwarding which can auto adapt the conversion to get the minimum latency according to the connection speed
- Link fault pass through between two different media cables
- Transparent conversion for 802.1Q tagged packets
- Far end fault function on the fiber connection
- Manual (forced) configuration for the twisted-pair port to support non-auto devices
- Support fiber remote loopback test for advanced installation
- Provide remote twisted-pair connection monitoring
- Support Din-rail mounting in Din-rail closet
- Support being powered by PoE via Cat.5 and USB in addition to typical AC power adapter

PRODUCT SPECIFICATIONS

TP PORT

IEEE 802.3 10Base-T, IEEE 802.3u 100Base-TX, IEEE 802.3af PD
 Shielded RJ-45 jack with auto MDI/MDI-X detection
 Auto-negotiation for speed and duplex auto detection
 Forced mode with speed and duplex settings
 Speed for 10Mbps or 100Mbps, Full-duplex or half-duplex support

FX PORT

IEEE 802.3u 100Base-FX compliant
 Forced 100Mbps, Full duplex (factory default)
 Far end fault Function

CABLE

Cat. 5 UTP cable
 MMF - 62.5/125µm, 50/125µm

LEDS

Power status,
 TP Port : Link/Act, Speed, Duplex status,
 FX Ports : Link/Act status, Fiber signal detected

CONFIGURATION SWITCHES ACCESSIBLE SETTINGS

TP mode, TP duplex, TP speed, Link fault pass through

PACKET SIZE

Up to 1522 bytes for store-and-forward mode
 No packet size limit for smart-forward mode (100-to-100)

POWER INPUT

PoE via Cat.5 on RJ-45 from PSE switch or PoE mid-span injector
 DC jack via external AC power adapter or USB power via proprietary USB cable

POE

IEEE 802.3af PD compliant
Input voltage 36 ~ 57VDC via Cat.5
Power classification Class 1
Power reception Via TP RJ-45 Pin 1,2,3,6 or Pin 4,5,7,8

ENVIRONMENT

Operation Temperature -5°C ~ 50°C
Storage Temperature -20°C ~ 80°C
Relative Humidity 5% ~ 95% non-condensing

WEIGHT

Net 210g

DIMENSION

108 x 72.5 x 23 mm (WxDxH)

OPERATING VOLTAGE

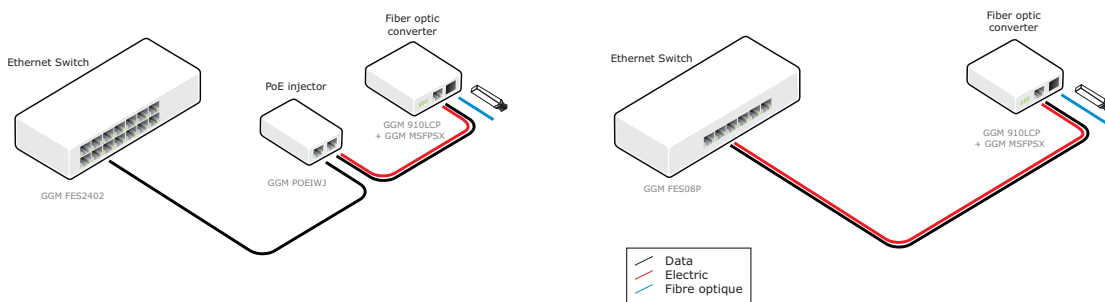
Consumption +7V ~ +57VDC input
 2 Watts max.

APPROVAL

FCC Class B, CE Class B, IEC60950-1

WARRANTY

24 months



PART NUMBER

P/N	DESCRIPTION
GGM 901SCP	PoE-PD-enabled 10/100Base-TX to 100Base-FX Multimode SC 2Km

YOUR POINT OF CONTACT

