

IP FIXED DOME COMPACT H264 1 MEGAPIXEL + IR ILLUMINATORS
GGM CAMD33 & GGM CAMD34



ONVIF



	GGM CAMD33	GGM CAMD34
PoE	NO	YES
IR illuminator	NO	YES
Day / Night	NO	YES

MP
1 MEGAPIXEL

HD
1280 X 800

POE

SD
SD CARD

COMPACT & DESIGN

PoE

Compact and design

1 million of pixels
(under 25 fps)

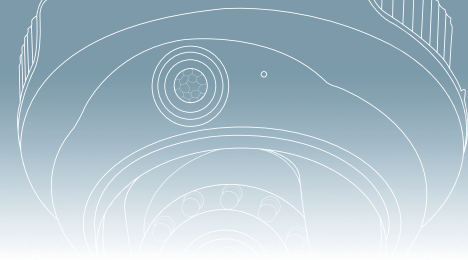
SD CARD available

H264

GIGAMEDIA GGM CAMD33 (Wired) and **GGM CAMD34** (PoE+ Infrared) are an easy-to-use fixed dome network camera specifically designed for indoor security applications with a compact, stylish exterior. Equipped with a 1MP sensor enabling viewing resolution of 1280 x 800 at 25 fps, users need look no further for an all-in-one camera capable of capturing high quality, high resolution video. This camera supports the industry-standard H.264 compression technology, drastically reducing file sizes and conserving valuable network bandwidth.

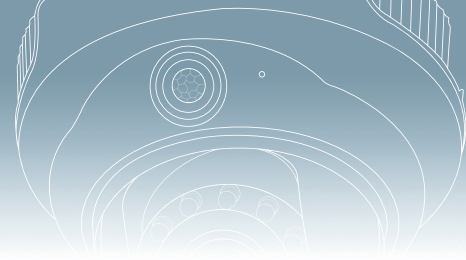
MAIN FEATURES

- Easy and Flexible Installation
- Compact and Attractive ID Design
- 1/4" CMOS Sensor in 1280 x 800 Resolution
- Removable IR-cut Filter for Day and Night Function (**GGM CAMD34**)
- Built-in IR Illuminators, Effective up to 10 Meters (**GGM CAMD34**)
- Real-time H.264, MPEG-4 and MJPEG Compression (Triple Codec)
- Simultaneous Multiple Streams
- Activity Adaptive Streaming for Dynamic Frame Rate Control
- Tamper Detection for Unauthorized Changes
- Built-in 802.3af Compliant PoE (**GGM CAMD34**)
- Built-in MicroSD/SDHC Card Slot for On-board Storage
- 3-axis Mechanical Design for Ceiling and Wall Mount Installation
- Supports ONVIF Standard to Simplify Integration and Enhance Interoperability

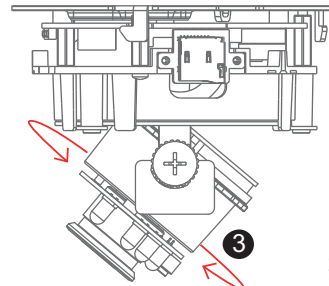
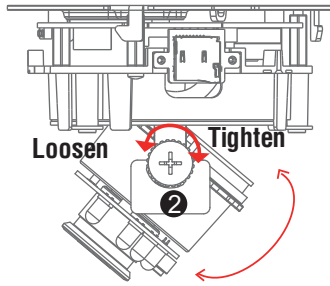
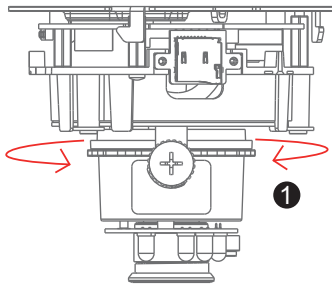
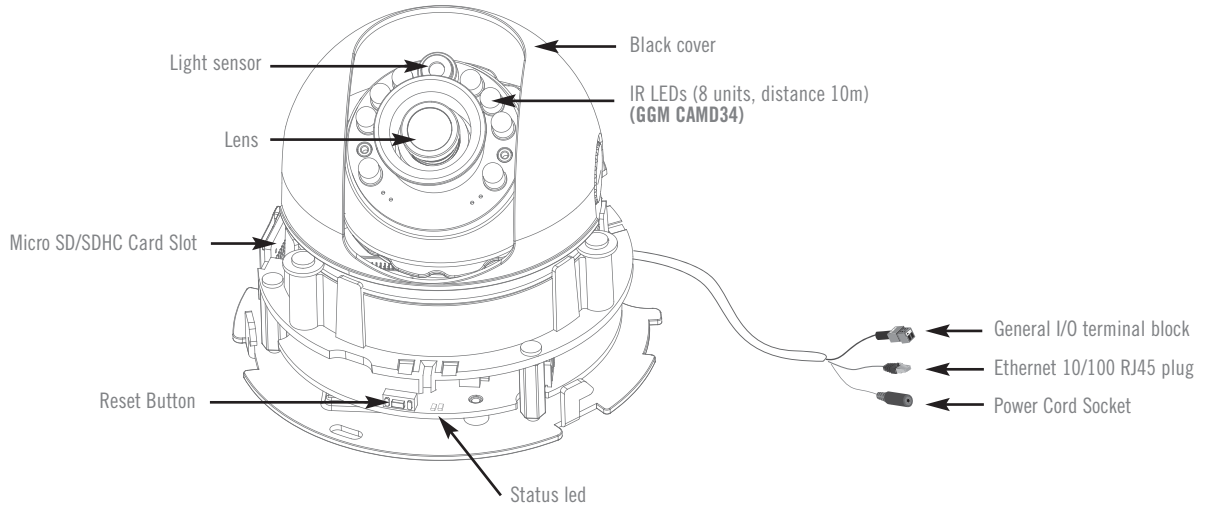


PRODUCT SPECIFICATIONS

MODEL		IMAGES SETTING		LED INDICATOR	
GGM CAMD33 Wired		Adjustable image size, quality and bit rate		System power and status indicator	
GGM CAMD34 PoE		Time stamp and text caption overlay		System activity and network link indicator	
SYSTEM		Flip & mirror		POWER	
CPU	TI DM365 SoC	Configurable brightness, contrast, saturation, sharpness, white balance and exposure		12V DC	
Flash	128Mb	AGC, AWB, AES		Consumption Max. 3.5 W (CAMD33)	
RAM	256Mb	Automatic, manual or scheduled day/night mode (CAMD34)		Max. 4.5 W (CAMD34)	
Embedded OS	Linux 2.6	BLC Backlight Compensation		802.3af compliant Power-over-Ethernet (Class 2) (CAMD34)	
LENS		Supports privacy masks		APPROVALS	
Board lens, Fixed, f = 3.6 mm, F1.8		NETWORKING		CE, LVD, FCC, VCCI, C-Tick	
Removable IR-cut filter for day & night function (GGM CAMD34)		10/100 Mbps Ethernet, RJ-45		OPERATING ENVIRONNEMENTS	
ANGLE OF VIEW		Onvif Support		Temperature 0 ~ 50°C (32 ~ 122°F)	
Horizontal	56°	Protocols		Humidity 90% RH	
Vertical	41°	IPV4, IPV6, TCP/IP, HTTP, HTTPS, UPnP, RTSP/RTP/RTCP, IGMP, SMTP, FTP, DHCP, NTP, DNS, DDNS, PPPoE, CoS, QoS et 802.1X		VIEWING AND SYSTEM REQUIREMENTS	
SHUTTER TIME		ALARM & MANAGEMENT		OS Microsoft Windows 7/Vista/XP/2000	
1/5 sec to 1/25 000 sec		Triple-window video motion detection		Browser Mozilla Firefox, Internet Explorer 6.x or above	
IMAGE SENSOR		Tamper detection		Cell phone 3GPP player	
1/4" CMOS sensor in 1280x800 resolution		One D/I for external sensor		Real Player 10.5 or above	
MINIMUM ILLUMINATION		Event notification using HTTP, SMTP or FTP		Quick Time 6.5 or above	
CAMD33	0.3 Lux @ F1.8	Local recording of MP4 file		3-axis mechanism for flexible ceiling and wall mount installation	
CAMD34	0 Lux @ F1.8 (IR LED on)	ON-BOARD STORAGE		Camera angle adjustment : pan 350°, tilt 85°, rotate 350°	
IR ILLUMINATOR		MicroSD/SDHC card slot		ACCESSOIRES (OPTIONNELS)	
Built-in IR illuminators, effective up to 10 meters		Stores snapshots and video clips		GGM SOFTIPxx Compatibility please contact us	
IR LED*8 (850nm)		SECURITY		GGM NVRxxx Compatibility please contact us	
VIDÉO		Multi-level user access with password protection		Aimetis Compatibility please contact us	
Compression	H.264, MJPEG & MPEG-4	IP address filtering		SOFTWARE AND FIRMWARE	
	Simultaneous multi-streaming	HTTPS encrypted data transmission		Supports firmware upgrade	
Streaming	H.264 streaming over UDP, TCP, HTTP or HTTPS	802.1X port-based authentication for network protection		SDK available for application development and system integration	
	MPEG-4 streaming over UDP, TCP, HTTP or HTTPS	USERS		Installation Wizard	
	MPEG-4 multicast streaming	Live viewing for up to 10 clients		Installation management & maintenance	
	MJPEG streaming over HTTP or HTTPS	DIMENSION		WARRANTY	
Supports activity adaptive streaming for dynamic frame rate control		Ø 110mm x 91mm		24 months	
Supports 3GPP mobile surveillance		WEIGHT			
Frame rates	H.264 : Up to 30/25 fps at 1280x800	GGM CAMD33 Net : 463g			
	MPEG-4 : Up to 30/25 fps at 1280x800	GGM CAMD34 Net : 479g			
	MJPEG : Up to 30/25 fps at 1280x800				



PRODUCT SPECIFICATIONS



1. Pan 350°
2. Tilt 85°
3. Rotate 350°

YOUR POINT OF CONTACT