

## GGM CAMF23M

## GGM CAMF23M



GIGAMEDIA **GGM CAMF23M** is the latest professional-series outdoor fixed dome network camera featuring superb megapixel image quality and exceptional bandwidth efficiency. With day & night functionality and a weatherproof housing, it is especially suitable for tough outdoor surveillance environments such as parking lots and streets. Featuring a 2-megapixel sensor, the **CAMF23M** is able to provide extremely wide coverage with the finest details. Additionally, the camera is incorporated with high performance H.264 compression technology, and has adopted a number of innovative bandwidth-efficient technologies built into the camera, including cropping, ePTZ, and activity adaptive streaming.

In order to adapt to constantly changing outdoor lighting conditions, the **CAMF23M** features an auto-iris lens to perform better image quality under different lighting environment. The camera also comes with a removable IR-cut filter and IR illuminators for superior image quality around the clock. For protection against the elements, the camera is furnished with an IP66-rated housing and vandal-proof casing to withstand rain, dust, and vandalism. The PoE-

powered heater and fan further enhance the **CAMF23M**'s performance and reliability in extremely cold and warm weather. The integrated BNC connector allowing the **CAMF23M** to be connected directly to an analog monitor provides enhanced flexibility and usability and ease of installation. Other advanced features include a 3-axis mechanism for flexible installation, 802.3af PoE, SD/SDHC card slot, tamper detection, and SIP-enabled two-way audio.

### MAIN ASSETS

IP66

IP66 Vandalproof



IR LED up to 20m



PoE



Privacy mask



Multiple streams

### PRODUCT FEATURES

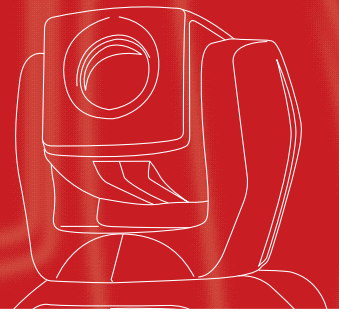
→ H264 MJPEG MPEG-4

→ 0 Lux sensibility

→ IP66

→ CMOS sensor

→ SD/SDHC card slot



## PRODUCT SPECIFICATION

### SYSTEM

CPU T1 DM 365 SoC  
Flash : 128Mb  
RAM : 256Mb  
Embedded OS Linux 2.6

### LENS

Board lens, Vari-focal,  $f = 3 \sim 9$  mm, F1.2 (wide), F2.1 (tele), auto-iris  
Removable IR-cut filter for day & night function

### ANGLE OF VIEW

Horizontal  $31,7^\circ \sim 93^\circ$   
Vertical  $23,8^\circ \sim 68,4^\circ$

### SHUTTER TIME

1/5 sec TO 1/40,000 sec.

### IMAGE SENSOR

1/3.2" CMOS sensor in 1600x1200 resolution

### MINIMUM ILLUMINATION

0 Lux / F1.2 (IR LED on)

### IR ILLUMINATORS

Built-in IR illuminators, effective up to 20m  
IR LED\*18

### VIDEO

Compression H.264, MJPEG & MPEG-4  
Streaming Simultaneous multiple streams  
H.264 streaming over UDP, TCP, HTTP, or HTTPS  
MPEG-4 streaming over UDP, TCP, HTTP, or HTTPS  
MPEG-4 multicast streaming  
MJPEG streaming over HTTP or HTTPS  
Supports activity adaptive streaming for dynamic frame rate control  
Supports video cropping for bandwidth efficiency  
Supports ePTZ for data efficiency  
Supports 3GPP mobile surveillance  
Frame rates H.264 : up to 30 fps at 1280x720  
up to 15 fps at 1600x1200  
MPEG-4: up to 30 fps at 1280x720  
up to 15 fps at 1600x1200  
MJPEG : up to 30 fps at 1280x720  
up to 15 fps at 1600x1200  
Interface BNC connector for video output  
NTSC/PAL video output switch  
Image Settings : Adjustable image size, quality, and bit rate  
Time stamp and text caption overlay  
Flip & mirror

Configurable brightness, contrast, saturation, sharpness, white balance, and exposure  
AGC, AWB, AES  
Automatic, manual or scheduled day/night mode  
BLC (Backlight Compensation)  
Supports privacy masks

### AUDIO

Compression GSM-AMR speech encoding, bit rate: 4.75 kbps to 12.2 kbps  
MPEG-4 AAC audio encoding, bit rate: 16 kbps to 128 kbps  
G.711 audio encoding, bit rate: 64 kbps,  $\mu$ -Law or A-Law mode selectable  
Interface External microphone input  
Audio output Supports two-way audio via SIP protocol  
Supports audio mute

### NETWORKING

10/100 Mbps Ethernet, RJ-45  
ONVIF Support  
Protocols IPv4, IPv6, TCP/IP, HTTP, HTTPS, UPnP, RTSP/RTP/RTCP, IGMP, SMTP, FTP, DHCP, NTP, DNS, DDNS, PPPoE, CoS, QoS, SNMP, and 802.1X

### ALARM AND EVENT MANAGEMENT

Triple-window video motion detection  
Tamper detection  
One D/I and one D/O for external sensor and alarm  
Event notification using HTTP, SMTP, or FTP  
Local recording of MP4 files

### ON-BOARD STORAGE

SD/SDHC card slot  
Stores snapshots and video clips

### SECURITY

Multi-level user access with password protection  
IP address filtering  
HTTPS encrypted data transmission  
802.1X port-based authentication for network protection

### USERS

Live viewing for up to 10 clients

### DIMENSION

$\varnothing$  170 mm x 133 mm

### WEIGHT

Net 2,184 g

## GGM CAMF23M

### LED INDICATOR

170mm x 133mm

### POIDS

2,184 Kg

### LED

System restore status indicator

### POWER

12V DC  
24V AC  
Power consumption : Max. 5.3W  
Max. 9.9W (with heater, fan, and IR illuminator)  
802.3af compliant Power-over-Ethernet

### HOUSING

Metal base and polycarbonate transparent cover  
Vandal-proof 1,000 kg  
Weather-proof IP66-rated housing

### APPROVALS

CE, LVD, FCC, VCCI, C-Tick

### OPERATING ENVIRONMENTS

Temperature  $-30 \sim 50^\circ\text{C}$  ( $-22 \sim 122^\circ\text{F}$ )  
Humidity  $20 \sim 95\%$  RH

### VIEWING SYSTEM REQUIREMENTS

OS Microsoft windows 2000/XP/Vista  
Browser Firefox, Internet explorer 6 or above  
Cell phone 3GPP player  
Real Player 10.5 or above  
Quick time 6.5 or above

### INSTALLATION MANAGEMENT AND MAINTENANCE

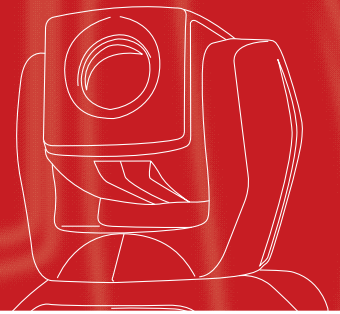
3-axis mechanism for flexible ceiling and wall mount installation  
Drop-ceiling mount installation  
Camera angle adjustment: pan  $350^\circ$  and tilt  $85^\circ$   
BNC connector for video output  
NTSC/PAL video output switch  
Installation Wizard 2  
32-CH ST7501 recording software  
Supports firmware upgrade

### APPLICATIONS

SDK available for application development and system integration

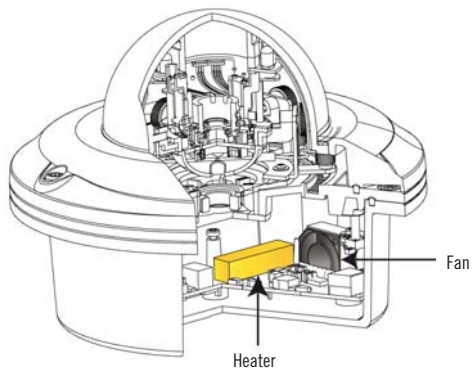
### WARRANTY

24 months



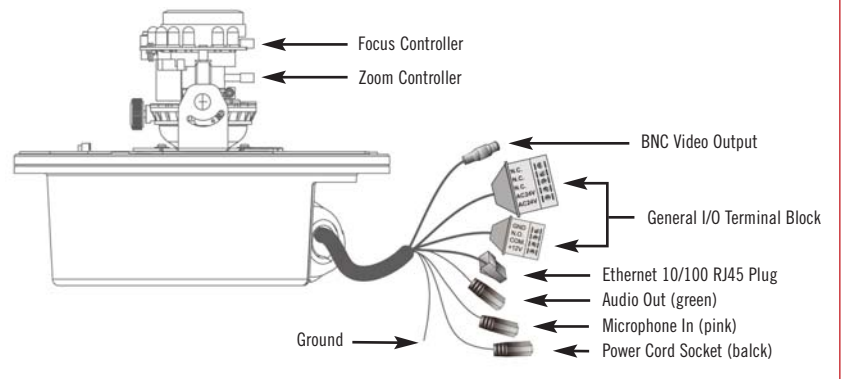
## PRODUCT SPECIFICATION

## GGM CAMF23M



Operating environment: -20° ~ 50°C

When the temperature inside the Network Camera reaches over 50°C, the fan will operate automatically; when the temperature inside the Network Camera drops to 0°C, the heater and fan will both operate automatically.



### SD SDHC card slot



VOTRE INTERLOCUTEUR CONSEIL

