

IP CAMERA 1 MEGAPIXEL H264
GGM CAMF26M



- 1MP**
CAMERA
1 MEGAPIXEL
- HD**
RESOLUTION
1280 X 800
- POE**
POE 802.3AF
- IP66**
PROTECTION
IP66

- 1 Megapixel
- 1280 x 800 resolution
- Supports ONVIF
- PoE 802.3af
- IP66
- Triple codec compression

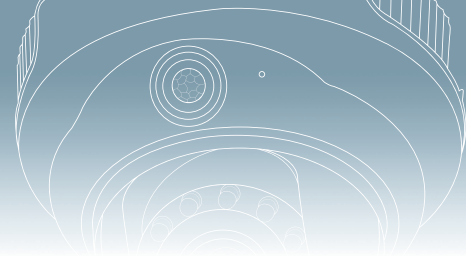
GIGAMEDIA CAMF26M is a best-in-class, bullet-style network camera designed for diverse outdoor applications. Equipped with a 1MP sensor enabling viewing resolution of 1280x800 at a smooth 30 fps, the **CAMF26M** is an all-in-one outdoor camera capable of capturing high quality and high resolution video. In order to adapt to constantly changing outdoor lighting conditions, the **CAMF26M** features a removable IR-cut filter as well as IR illuminators effective up to 15M for superior image quality around the clock. For protection against harsh outdoor environments, the camera is encased in an IP66-rated housing and weather-proof casing to withstand rain and dust.

The **CAMF26M** supports the industry-standard H.264 compression technology, drastically reducing file sizes and conserving valuable network bandwidth. With H.264, MPEG-4, and MJPEG compatibility all included, multiple streams can be simultaneously transmitted in any of these formats at different resolutions, frame rates, and image qualities for versatile platforms. The streams can also be individually configured to meet different needs or bandwidth constraints, thereby further optimizing bandwidth and storage.

Incorporating a number of advanced features standard for GIGAMEDIA cameras, including tamper detection, 802.3af compliant PoE, SD/SDHC card slot, the **CAMF26M** is the ideal solution for your outdoor surveillance needs.

MAIN ASSETS

- 1MP sensor
- Triple codec compression simultaneously H264, MJPEG and MPEG-4
- Built-in IR Illuminator up to 15 meters
- Supports ONVIF Standard to Simplify Integration and Enhance Interoperability
- 1/4" CMOS Sensor in 1280 X 800 Resolution.
- Weather-proof IP66-rated Housing
- Tamper Detection for Unauthorized Changes
- Built-in MicroSD/SDHC Card Slot for On-board Storage



PRODUCT SPECIFICATIONS

SYSTEM

CPU	TI DM365 SoC
Flash	128 Mb
RAM	256 Mb
Embedded OS	Linux 2.6

LENS

Board lens, f = 3.6 mm, F1.8, Fixed
IR corrected
Removable IR-cut filter for day & night function

ANGLE OF VIEW

Horizontal	56°
Vertical	41°
Diagonal	71°

SHUTTER TIME

1/5 sec. to 1/25,000 sec.

IMAGE SENSOR

1/4" CMOS sensor in 1280 x 800 resolution

MINIMUM ILLUMINATION

0 Lux / F1.8 (IR LED on)

IR ILLUMINATORS

Built-in IR illuminators, effective up to 15m
IR LED*12

VIDEO

Compression Streaming	H.264, MJPEG & MPEG-4
	Simultaneous multiple streams
	H.264 streaming over UDP, TCP, HTTP or HTTPS
	MPEG-4 streaming over UDP, TCP, HTTP or HTTPS
Frame rates	MPEG-4 multicast streaming
	MJPEG streaming over HTTP or HTTPS
	Supports activity adaptive streaming for dynamic frame rate control
	Supports 3GPP mobile surveillance
Frame rates	H.264 : Up to 30/25 fps at 1280x800
	MPEG-4 : Up to 30/25 fps at 1280x800
	MJPEG : Up to 30/25 fps at 1280x800

IMAGE SETTINGS

Adjustable image size, quality and bit rate
Time stamp and text caption overlay
Flip & mirror
Configurable brightness, contrast, saturation, sharpness and white balance
AGC, AWB, AES
Automatic, manual or scheduled day/night mode
Supports privacy masks

NETWORKING

10/100 Mbps Ethernet, RJ-45
Onvif Support
Protocols: IPv4, IPv6, TCP/IP, HTTP, HTTPS, UPnP, RTSP/RTP/RTCP, IGMP, SMTP, FTP, DHCP, NTP, DNS, DDNS, PPPoE, CoS, QoS, SNMP and 802.1X

ALARM AND EVENT MANAGEMENT

Triple-window video motion detection
Tamper detection
One D/I for external sensor
Event notification using HTTP, SMTP or FTP
Local recording of MP4 file

ON-BOARD STORAGE

MicroSD/SDHC card slot
Stores snapshots and video clips

SECURITY

Multi-level user access with password protection
IP address filtering
HTTPS encrypted data transmission
802.1X port-based authentication for network protection

USERS

Live viewing for up to 10 clients

DIMENSION

Ø 60 mm x 170 mm

WEIGHT

702g

POWER

12V DC
24V AC
Power consumption max. 4 W
802.3af compliant Power-over-Ethernet (Class 2)

HOUSING

Weather-proof IP66-rated housing

APPROVALS

CE, LVD, FCC, VCCI, C-Tick

OPERATING ENVIRONMENT

Temperature: -20 ~ 50 °C (-4 ~ 122 °F)
Humidity: 90% RH

VIEWING SYSTEM REQUIREMENT

OS: Microsoft Windows 7/Vista/XP/2000
Browser: Mozilla Firefox, Internet Explorer 6.x or above
Cell phone: 3GPP player
Real Player: 10.5 or above
Quick Time: 6.5 or above

INSTALLATION MANAGEMENT AND MAINTENANCE

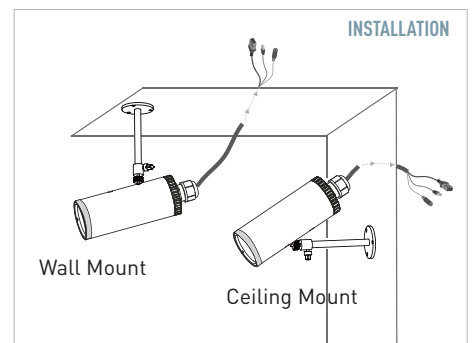
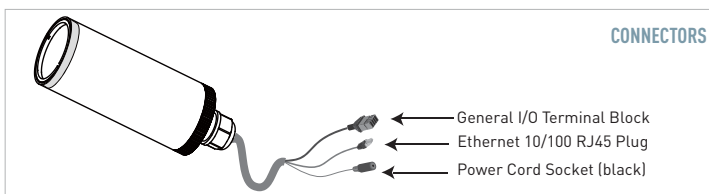
Installation Wizard 2
Recording software : Aimetis
NVR GGM NVRXXX (ask us)
Supports firmware upgrade

APPLICATIONS

SDK available for application development and system integration

WARRANTY

24 months



VOTRE INTERLOCUTEUR CONSEIL

