

## NETWORK BULLET OUTDOOR IP CAMERA 3 MP GGM CAMF38ME



3-Megapixel CMOS sensor

Triple codec  
H264, MPEG-4 & MJPEG

Day / Night function

Weather-proof IP67

Smart focus system

PoE

The **GGM CAMF38ME** integrates the Smart Stream Technology, which can be used to optimize resolution on a desired object or area to improve bandwidth usage.

The **GGM CAMF38ME** uses a P-iris lens, which controls the iris with extreme precision thanks to its built-in stepper motor. By using software control, the lens maintains the iris always opened at an optimal level. Properly adjusting the focus of a megapixel network camera can be difficult for installers due to the image detail. But with the Smart Focus System it is easier to manage with that point, to realize adjusted installations.

### PRODUCT FEATURES

- 3-Megapixel CMOS Sensor
- 30 fps @ 2048x1536 ; 60 fps @ 1920x1080
- Motorized, P-iris lens
- Removable IR-cut filter for day & night function
- Built-in IR illuminators, effective up to 30 m
- Supreme night visibility
- Smart Stream
- 3D noise reduction
- Real-time H.264, MPEG-4, and MJPEG compression (Triple Codec)
- -50°C ~ 50°C wide temperature range for extreme weather conditions
- Smart Focus system for remote and precise focus adjustment
- Two-way audio
- Weather-proof IP67-rated housing
- Built-in 802.3af compliant PoE
- Built-in SD/SDHC/SDXC card slot for on-board storage
- Mounting bracket with cable management for protected installation



## PRODUCT SPECIFICATION

### SYSTEM

CPU	Multimedia SoC (System-on-Chip)
Flash	256 MB
RAM	512 MB

### CAMERA FEATURES

Image Sensor	1/2.8" Progressive CMOS
Max. Resolution	2048x1536
Lens Type	Vari-focal, remote focus
Focal Length	f = 3 - 9 mm
Aperture	F1.2 (wide) - F2.3 (tele)
Auto-iris	P-iris
Field of View	36° - 82° (horizontal) 27° - 62° (vertical) 44° - 107° (diagonal)
Shutter Time	1/5 sec. to 1/8,000 sec.
WDR technology	WDR Enhanced
Day/Night	Removable IR-cut filter for day & night function
Mini. Illumination	0.02 lx @ F1.2, 50 IRE (Color) 0.001 lx @ F1.2, 50 IRE (B/W)
Pan/tilt/zoom	ePTZ: 48x digital zoom (4x on IE plug-in, 12x built-in)
IR Illuminators	Built-in IR illuminators, effective up to 30 m IR LED x4
On-board Storage	SD/SDHC/SDXC card slot

### VIDEO

Compression	H.264, MJPEG & MPEG-4
Max. Frame Rate	H.264: 30 fps at 2048x1536 60 fps at 1920x1080 MPEG-4: 30 fps at 2048x1536 52 fps at 1920x1080 MJPEG: 30 fps at 2048x1536 60 fps at 1920x1080
Max. Streams	4 simultaneous streams
S/N Ratio	Above 62 dB
Dynamic Range	59 dB
Video Streaming	Adjustable resolution, quality and bitrate
Image Settings	Adjustable image size, quality and bit rate Time stamp, text overlay, flip & mirror Configurable brightness, contrast, saturation, sharpness, white balance, exposure control, gain, backlight compensation, privacy masks, Scheduled profile settings

### AUDIO

Audio Capability	Audio input/output (full duplex)
Compression	GSM-AMR, AAC, G.711
Interface	External microphone input External line output

### NETWORK

Users	Live viewing for up to 10 clients
Protocols	IPv4, IPv6, TCP/IP, HTTP, HTTPS, UPnP, RTSP / RTP / RTCP, IGMP, SMTP, FTP, DHCP, NTP, DNS, DDNS, PPPoE, CoS, QoS, SNMP, 802.1X
Interface	10Base-T/100 BaseTX Ethernet (RJ-45) ONVIF

### INTELLIGENT VIDEO

Triple-window video motion detection

### ALARM AND EVENT

Alarm Triggers	Video motion detection, manual trigger, digital input, periodical trigger, system boot, recording notification, camera tampering detection
Alarm Events	Event notification using HTTP, SMTP, FTP and NAS server File upload via HTTP, SMTP, FTP and NAS server

### GENERAL

Smart Focus System	Remote focus & easy focus
Connectors	RJ-45 cable connector for Network/PoE connection Audio input Audio output AC 24V power input DC 12V power input Digital input*1 Digital output*1 Analog video output
LED Indicator	System power and status indicator

### POWER

Power Input	DC 12V AC 24V IEEE 802.3af PoE Class 3
Power Consumption	Max. 26 W (DC 12V) Max. 27 W (AC 24V) Max. 12.3 W (PoE)

### DIMENSIONS

Ø 85 x 221 mm

### WEIGHT

Net 1,849 g (with bracket)

### CASING

Weather-proof IP67-rated housing

### CERTIFICATIONS

CE, LVD, FCC Class A, VCCI, C-Tick, UL

### ENVIRONMENTAL

Starting temperature -40°C - 50°C (-40°F - 122°F)

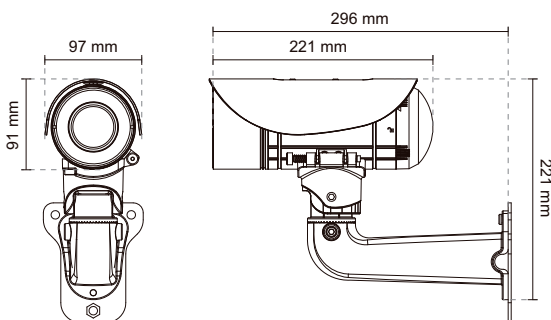
Working temperature -50°C - 50°C (-58°F - 122°F)

### SYSTEM REQUIREMENTS

Operating System	Microsoft Windows 7 / Vista / XP / 2000
Web Browser	Mozilla Firefox 7-10 (streaming only) Internet Explorer 7.x or 8.x
VLC	1.1.11 or above
QuickTime	7 or above

### WARRANTY

24 months



YOUR POINT OF CONTACT

