

## PTZ CONTROLLER GGM CCJOYSTICK



GIGAMEDIA PTZ controller provides advanced features with a 3 axes joystick and easily control PTZ camera directly from the DVR interface. The GGM CCJOYSTICK will manipulate up to 255 devices. It utilizes RS-485 in full or half duplex communication. The GIGAMEDIA PTZ controller is designed for critical security installations including airports, casinos, transit stations and stadiums.

### SPECIFICATIONS

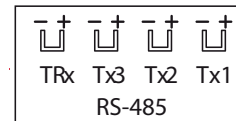
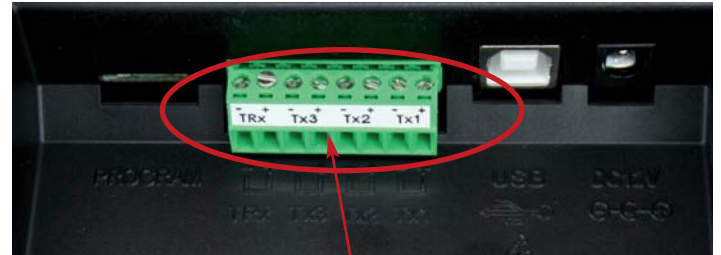
- **Keyboard Communication:** Interface RS-485/ RS-422  
Operating distance: 1.2Km on 24 AWG wire  
Protocol : Multiple (Pelco D, Pelco P...) Baud rate selectable
- **Connector Type Data:** Terminal block (8p)
- **Keyboard button:** Rubber button, keypad and camera function key
- **Joystick:** Stick 3-axis, variable speed with zoom
- **Input Voltage:** DC 12 or 9 V battery (Battery Mode)
- **Power consumption:** Max. 140 mA
- **LCD Display:** Graphic Display 16 characterx2 lines
- **Operating Temperature:** 0° to 45°C
- **Humidity:** 10% to 70% Non-condensing
- **Dimension:** 280(W) x 100.08(H) x 179.3(D) mm
- **Weight:** 0.7 kg
- **Packaging include:** USB Cable, manual and terminal block + power supply 12 V
- **Warranty:** 2 years



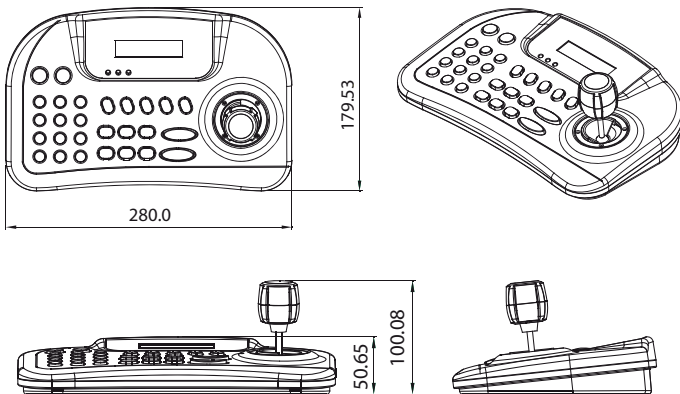
## FEATURES

- USB mouse Function
- Operate with 9 V battery or power adapter (12 V power adapter is include in the box)
- Controls up to 255 cameras
- Multiple protocol supported in each channel
- RS-485/RS-422 communication (Tx: 3 port, TRx : 1 port)
- Programmable user preferences (Preset, Tour, Pattern, etc..)
- Built-in 3-Axis proportional joystick
- Easy upload of programmed data via serial communication
- Built-in 2 lines character LCD
- User password support
- Programmable transmission speed for each ID (2.4-57.6kbps)
- Easy to be integrated with DVR (Key-code value provided)

## RS-485/RS-422 communication (Tx: 3 port, TRx : 1 port)



## Dimensions (mm)



## 9 V Battery or power supply 12 V DC



YOUR POINT OF CONTACT

