



**OUTDOOR IP66 DOME CAMERA HIGH DEFINITION 700TVL VANDAL-PROOF**  
GGM CCDV6I2VWO



<b>700 TVL</b>	<b>0,01 LUX</b>				<b>IP66</b>
RESOLUTION 700 TVL	SENSIBILITY 0,01 LUX	INFRARED 20 M	VARI-FOCAL 2,8-12 MM	FUNCTION WDR	IP66

Resolution 700 TVL

0,01 lx

IR 20 m

Vari-focal 2,8-12 mm

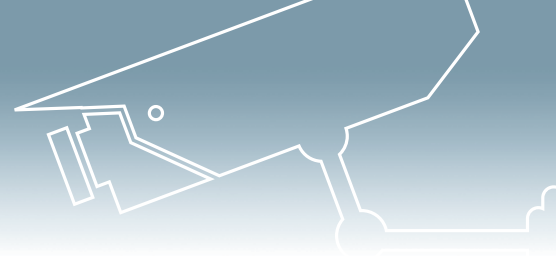
WDR

IP66

The **GGM CCDV6I2VWO** is equipped with the latest Sony Effio3 chipset to get an excellent picture quality coupled with CCD HAD Sony sensor. Installation is quick and easy, the camera come completely assembled and ready to use. The GIGAMEDIA **CCDV6I2VWO** achieves a resolution of 700TVL and delivers a crystal clear images and capable of illuminating a subject up to 20 m at night. The **GGM CCDV6I2VWO** is really suited for commercial security and with easy outdoor ceiling installation. The OSD system improve quality image (brightness, lighting..) and bring user possibility to protect private life with configurable private masking.

**MAIN FEATURES**

- Processor Sony Effio E3
- 700TVL
- Vari-focal 2.8-12 mm
- Infrared 20 m
- OSD (On Screen Display)
- Vandal proof



## PRODUCT SPECIFICATIONS

### VIDEO

Sensor	1/3" SONY Exview HAD CCD II
Processor	Sony EFFIO E2
Color	Color, B/W (auto B/W)
Size resolution	700 TVL
Effective pixels (HxV)	PAL: 752H x 582V
Scan System	2:1 interlace
Min. Illumination	0.01 lx (F1.2), (0 lx IR actif)
Iris	1/50 (1/60) - 1/100,000sec
Video Output	1.0Vpp ; 75 Ω BNC
BLC	BLC (9 zone are adjustable) / HLC / OFF
AGC	High / low (5 dB - 62.8 dB)
White Balance	ATW / PUSH / Manual / Hold / Fixed gain / Color rolling suppression
S/N Ratio	More than 52 dB
Gamma	0,45
OSD	Yes
Focal Length	2.8-12 mm (101,19° - 28,16°)
IR distance	Infrared 20 m Working angle 60°
IR Type	LEDs 850 nm
Number of leds embedded	36

### ELECTRICAL

Input voltage / current	12 VDC
Power consumption	100 mA / 500 mA
Power supply	12 VDC (not included)

### MECHANICAL

Material - housing	Metal
Color	White

### ENVIRONMENTAL

Operating temperature	-20°C to +60°C
Protection	IP66 VANDAL PROOF
Certifications	CE FCC

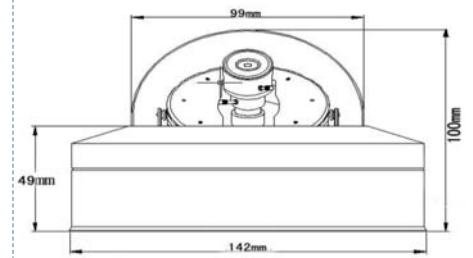
### WARRANTY

2 years

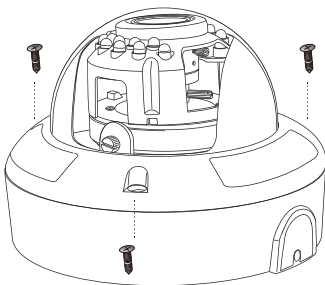
### ACCESSORIES (OPTIONAL)

GGM CC12V1A	Power supply 1 out 12 VDC 1 A
GGM CC1205P4	Power supplies 4 out 12 VDC 5 A
GGM DVR41T0	DVR 4 channels BNC + 1 To
GGM DVR81T0	DVR 8 channels BNC + 1 To
GGM DVR16	DVR 16 channels BNC (without hard drive)

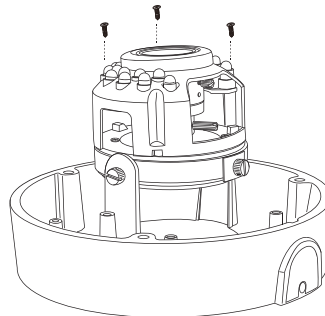
### DIMENSIONS



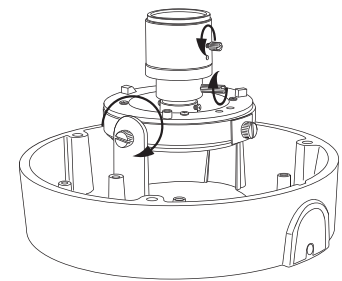
### SETTINGS



STEP 1



STEP 2



STEP 3

YOUR POINT OF CONTACT