

IR DOME 3 AXES INDOOR / OUTDOOR DAY/NIGHT 700TVL VARI-FOCAL LENS GGM CCDE713VWO



700 TVL
RESOLUTION
700 TVL

0,01 LUX
SENSIBILITY
0,01 LUX

INFRARED
30 M

FOCAL LENGTH
2,8-12 MM

Resolution 700 TVL

0,01 lx

IR 30 m

Focal Length
2,8-12 mm

Aptina139+FH8510

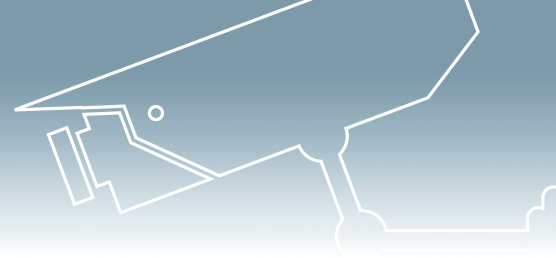
The **GGM CCDEV713VMO** is equipped with the latest chipset to get an excellent picture quality coupled with CCD HAD Sony sensor. Installation is quick and easy, the camera come completely assembled and ready to use. The **GGM CCDEV713VMO** achieves a resolution of 700TVL and delivers a crystal clear images and capable of illuminating a subject up to 30 m at night. The **GGM CCDEV713VMO** is really suited for commercial security and with easy ceiling installation. The OSD system improve quality image (brightness, lighting..) and bring user possibility to protect private life with 9 configurable private masking.

MAIN FEATURES

- Aptina139+FH8510
- 3 axes dome
- Resolution 700 TVL
- OSD control
- Infrared distance 30 m
- Metal case (housing)
- Focal Length 2,8-12 mm
- 9 private masking zones
- IP65

OSD control system





PRODUCT SPECIFICATIONS

VIDEO

Image Sensor	1/4" CMOS Aptina
Processor	Aptina139+FH8510
Type	Color, B/W (auto- B/W)
Horizontal Resolution	700 TVL
Total Pixel	PAL : 976H x 582V
Min. Illumination	0.01 lx (F1.2), (0 lx IR ON)
Iris	1/50(1/60)-1/100,000sec
Video Output	1.0Vpp ; 75 Ω BNC
Backlight Compensation	9 zones ajustables BLC / HLC / OFF
AGC	High /low (5 dB - 62.8 dB)
White balance	ATW / PUSH / Manual / Hold / Fixed gain / Remove color rolling
S / N Ratio	More than 52 dB
Gamma	0 ,45
OSD	Yes included
Focal Length	2,8- 12 mm
IR distance	Infrared 30 m (H 60°)
IR type	850 nm
Number of leds embedded	36

ELECTRICAL

Input voltage / Current	12 VDC
Power consumption	120 mA / 400 mA
Power supply	12 VDC (non included)

MECHANICAL

Material – housing	Metal
Color	White color
Bracket	Included 3 axes
Dimensions	Following the drawing below

ENVIRONMENTAL

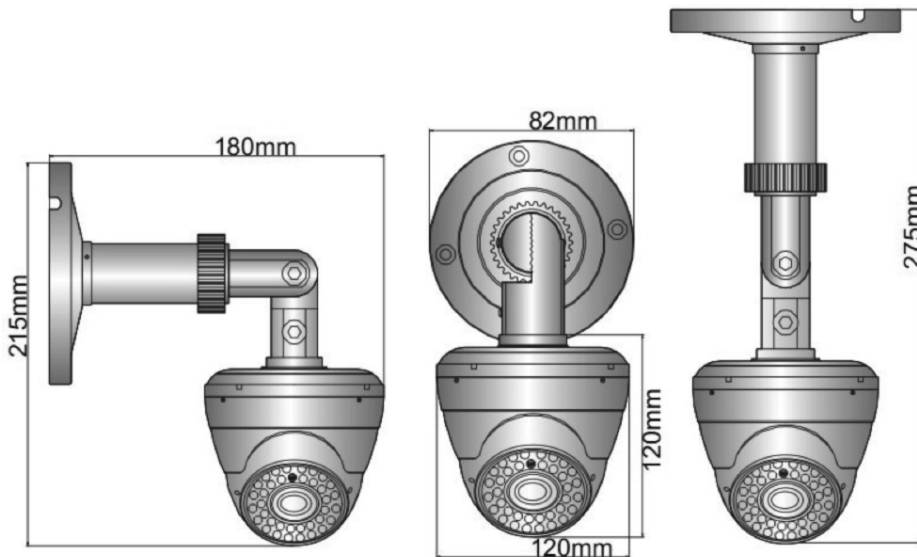
Operation Temperature	-20 °C to +60 °C
Certifications	CE, FCC

WARRANTY

2 years

ACCESSORIES (OPTIONAL)

GGM CC12V1A	Power supply 1 out 12 VDC 1 A
GGM CC1205P4	Power supplies 4 out 12 VDC 5 A
GGM DVR41TO	DVR 4 channels BNC + 1 To
GGM DVR81TO	DVR 8 channels BNC + 1 To



YOUR POINT OF CONTACT