



OUTDOOR CCTV CAMERA TWO IR 35M 600TVL IP66 3 AXIS BRACKET GGM CCC6I3VLB



**600
TVL**

RESOLUTION
600 TVL

**0,01
LUX**

SENSIBILITY
0,01 LUX



INFRARED
35M



FOCAL LENGTH
9-22MM

IP66

PROTECTION
IP66

Resolution 600 TVL

0,01 Lux

IR 35m

Focal Length
9-22mm

Metal housing IP66

GGM CCC6I3VLB is an outdoor camera IP66 with a resolution of 600TVL able to capture a night scene at a distance of 35m. With a vari-focal length 9-22mm camera can be placed in various situations. With infrared projectors deported illuminate the scene on an angle of view of 45°. With its integrated cable management at 3 axis bracket camera GIGAMEDIA **GGM CCC6I3VLB** will be the perfect solution for your security in outdoor areas such as warehouses, parking lot.

MAIN FEATURES

- Résolution 600TVL
- Manual vari-focal length 9-22mm
- 2 IR Led projector 35m
- Metal housing IP66 rating
- 3 axis bracket with câble management



PRODUCT SPECIFICATIONS (GGM CCC6I3VLB)

VIDEO

Image Sensor	1/3" SONY SUPER HAD CCD
Chipset	RJ7
Type	Color, B/W (auto- B/W)
Horizontal Resolution	600 TVL
Total Pixel	PAL:752H X 582V NTSC:768H X 494V
Min. Illumination	Color 0.1lux / Black and white 0.01Lux(F1.2), (0Lux IR on)
Iris	1/50(1/60)-1/100,000sec
Video Output	1.0Vpp ; 75ohms BNC
Backlight Compensation	AUTO
AGC	AUTO
White balance	AUTO
S / N Ratio	≥ 52dB
Gamma	0.45
Focal Length	9-22mm (30°- 15°)
IR distance	Infrared 35m (60°)
IR type	850nm
Number of leds embedded	36

ELECTRICAL

Input Voltage / Current	12VDC
Power Consumption	100mA / 500mA (leds on)
Power supply	12VDC (non included)

MECHANICAL

Material – housing	Metal
Color	Black
Bracket	3 axis bracket with cable management

ENVIRONMENTAL

Operation Temperature	-20°C to +60°C
IP Rating / protection	IP66
Certifications	CE, FCC

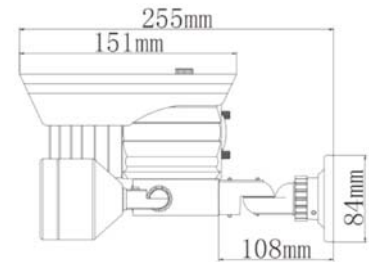
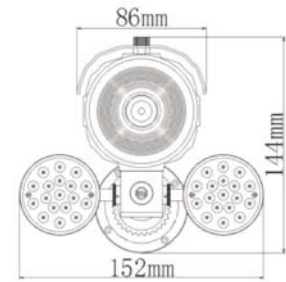
WARRANTY

2 years

ACCESSORIES (OPTIONAL)

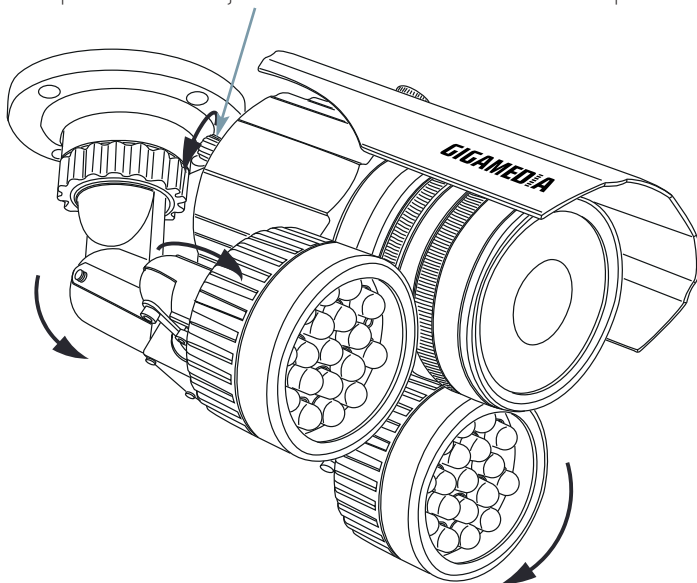
GGM CC12V1A	Power supply 1 out 12VDC 1A
GGM CC1205P4	Power supplies 4 out 12VDC 5A
GGM DVR41T0	DVR 4 channels BNC + 1T0
GGM DVR81T0	DVR 8 channels BNC + 1T0
GGM DVR16	DVR 16 channels BNC (without hard drive)

DIMENSIONS (MM)



SETTINGS (WITH BRACKET 3 AXIS AND CABLE MANAGEMENT)

Lens aperture and focal adjustment are on the back of the camera with specific button.



YOUR POINT OF CONTACT

