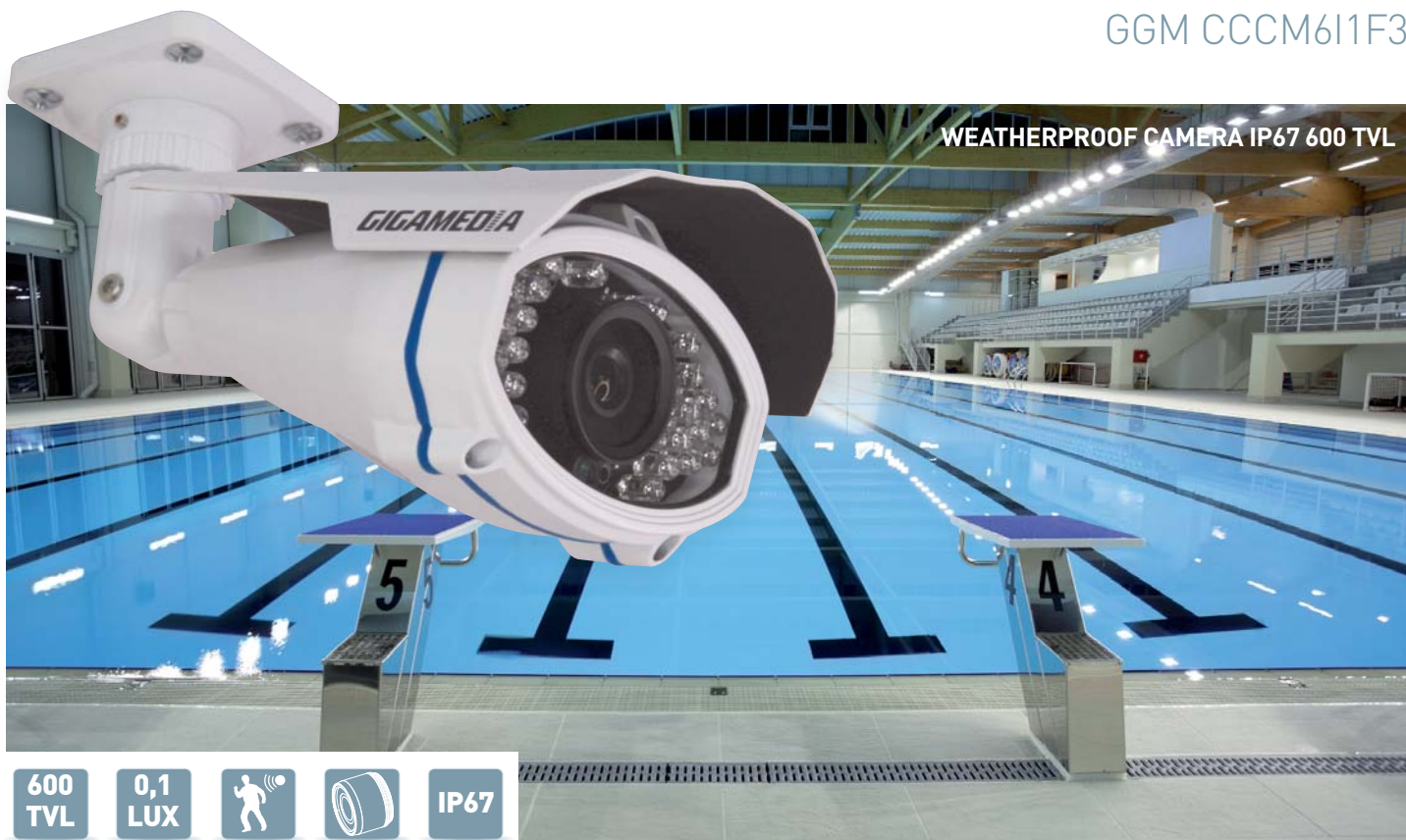




## EASY INSTALL BUILT-IN HOUSING 600TVL IP67 GGM CCCM6I1F3



WEATHERPROOF CAMERA IP67 600 TVL

<b>600 TVL</b> <small>RESOLUTION 600 TVL</small>	<b>0,1 LUX</b> <small>SENSIBILITY 0,1 LUX</small>	 <small>INFRARED 15M</small>	 <small>FIXE FOCAL LENGTH 3.6MM (90°)</small>	<b>IP67</b> <small>PROTECTION IP67</small>
---	--	---------------------------------	--	---

Resolution 600 TVL

0,1 Lux

IR 15m

Fixed focal length  
3.6mm (90°)

Weatherproof IP67

The GIGAMEDIA **GGM CCCM6I1F3** is day and night all in one camera with a resolution of 600TVL for outdoor environment. Easy to use and plug and play, with compact size (dimension of 16 cm length with bracket included) **GGM CCCM6I1F3** is ideal for a wide variety of security applications including schools, commercial property or seaport.

\*IP67 rating / total dust ingress protection and immersion between 15cm and 1m depth

### MAIN FEATURES

- Compact size (only 168mm length)
- 600TVL resolution
- Fixed focal length fixe 3.6mm
- Weatherproof IP67 rating
- IR distance 15m
- Metal housing
- Excellent value for money

Compact size



Gasket



Sliding sunshield





## PRODUCT SPECIFICATIONS (GGM CCM611F3)

### VIDEO

Image Sensor	1/3" SONY SUPER HAD CCD
Chipset	Next Chip
Type	Color, B/W (auto- B/W)
Horizontal Resolution	600 TVL
Total Pixel	PAL:976H x 582V NTSC:976H x 494V
Min. Illumination	0,1Lux (0Lux Led on)
Iris	1/50(1/60)-1/100,000sec
Video Output	1.0Vpp ; 75ohms BNC
Backlight Compensation	AUTO
AGC	AUTO
White balance	AUTO
S / N Ratio	≥ 52dB
Gamma	0,45
Focal Length	3.6mm (90°)
IR distance	Infrared 15m 80°
IR type	850nm
Number of leds embedded	24

### ELECTRICAL

Input Voltage / Current	12VDC
Power Consumption	120mA / 300mA (leds on)
Power supply	12VDC (non included)

### MECHANICAL

Material – housing	Metal
Color	White color
Bracket	Included

### ENVIRONMENTAL

Operation Temperature	-20°C to +60°C
IP Rating / protection	IP67
Certifications	CE, FCC

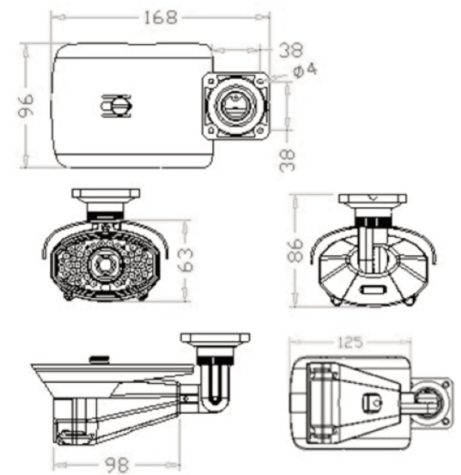
### WARRANTY

2 years

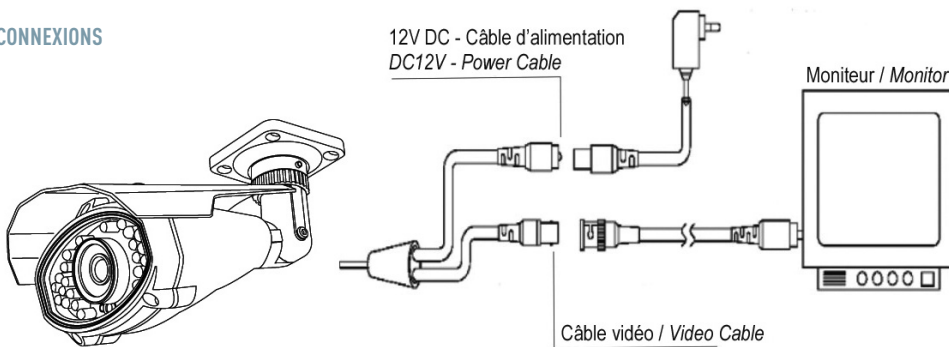
### ACCESSORIES (OPTIONAL)

GGM CC12V1A	Power supply 1 out 12VDC 1A
GGM CC1205P4	Power supplies 4 out 12VDC 5A
GGM DVR41T0	DVR 4 channels BNC + 1T0
GGM DVR81T0	DVR 8 channels BNC + 1T0
GGM DVR16	DVR 16 channels BNC (without hard drive)

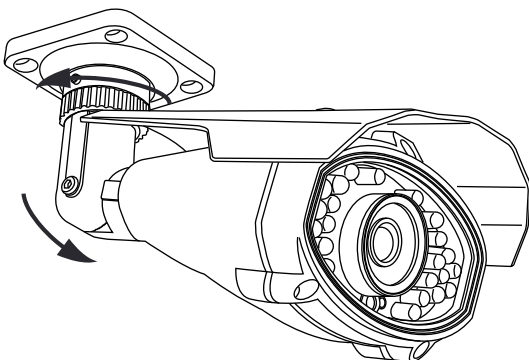
### DIMENSIONS (MM)



### CONNEXIONS



### SETTINGS



YOUR POINT OF CONTACT

