



3 MEGAPIXEL DC-IRIS
IR CORRECTED

GGM CC1V3105D3M



3 MEGAPIXEL



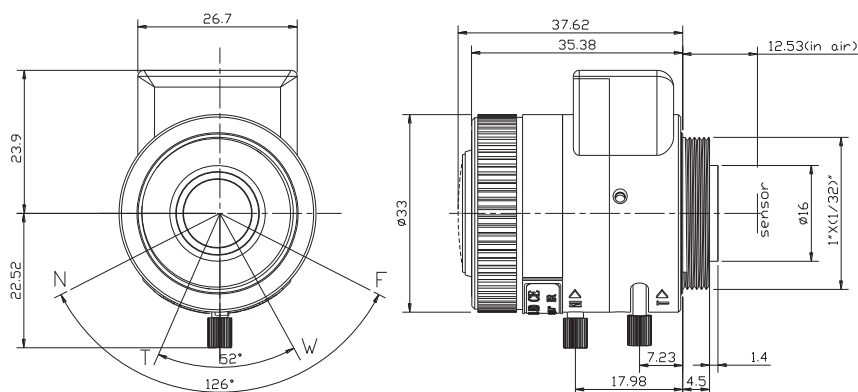
IR CORRECTED



DC-IRIS

PRODUCT
SPECIFICATION

DESIGNATION	3 Megapixel / IR corrected	MOUNT	CS	WEIGHT	39 g
MODEL NO	GGM CC1V3105D3M	FORMAT (INCH)	1/2.7"	M.O.D (MINIMUM OBJECT DISTANCE)	0.3 m
FOCAL-LENGTH	3 - 10,5 mm	HORIZONTAL FIELD H/V	100° - 30°	OPERATION	Focus (w/lock) Zoom (w/lock) Iris DC-iris
APERTURE (D/F')	F1.4	DIMENSION	Diameter 33 x 43.52 x 46.42 mm		



YOUR POINT OF CONTACT

