

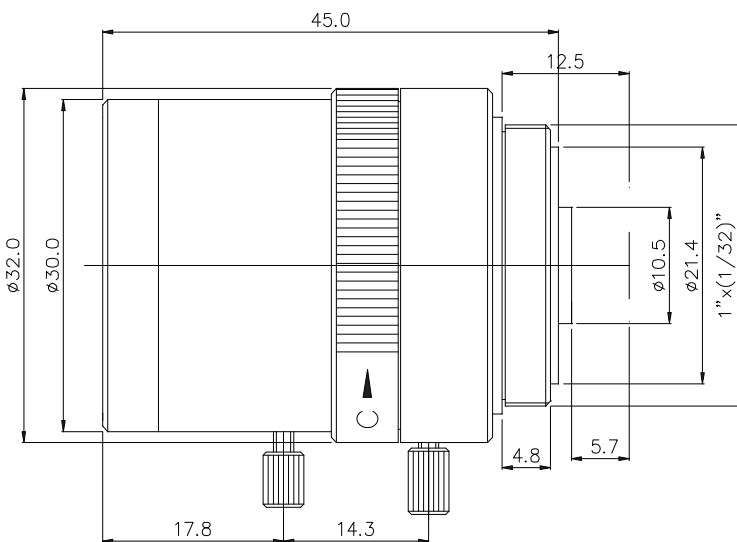


**1.6-MEGAPIXEL VARIFOCAL LENS**  
IR CORRECTED  
GGM CC2M2812M



**PRODUCT SPECIFICATION**

<b>DESIGNATION</b>	Manual iris / 1.6 Megapixel / IR corrected	<b>MOUNT</b>	CS	<b>WEIGHT</b>	40 g
<b>MODEL NO</b>	GGM CC2M2812M	<b>FORMAT (INCH)</b>	1/3"	<b>M.O.D</b>	0.2 m
<b>FOCAL-LENGTH</b>	2.8 - 12 mm	<b>HORIZONTAL FIELD</b>	92° - 27.2°	<b>OPERATION</b>	Focus (w/lock) Zoom (w/lock) Iris Manual
<b>APERTURE (D/F')</b>	1/1.4	<b>DIMENSION</b>	Diameter 30 x 45 mm		



YOUR POINT OF CONTACT