

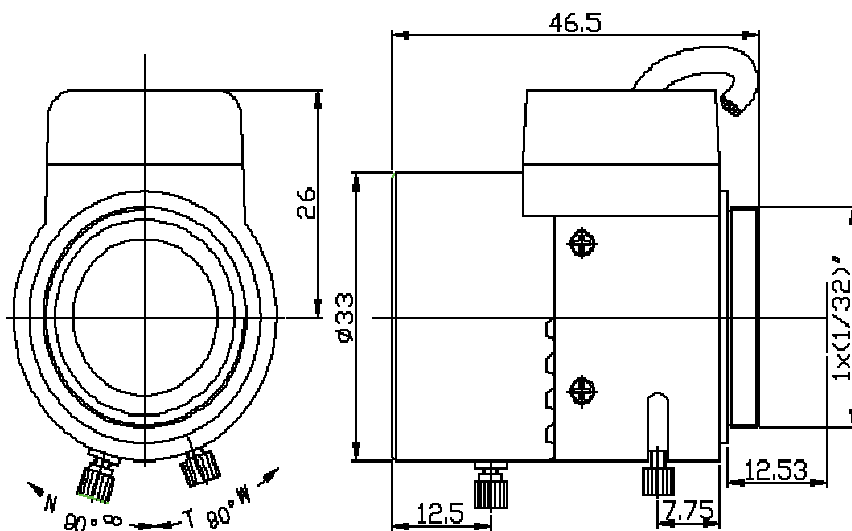


**VARIFOCAL LENS**  
IR CORRECTED  
GGM CC2V380DIR



**PRODUCT SPECIFICATION**

<b>DESIGNATION</b>	Auto-iris / IR corrected / Varifocal	<b>MOUNT</b>	CS	<b>WEIGHT</b>	26 g
<b>MODEL NO</b>	GGM CC2V380DIR	<b>FORMAT (INCH)</b>	1/3"	<b>M.O.D</b>	0.2 m
<b>FOCAL-LENGTH</b>	3 - 8 mm	<b>HORIZONTAL FIELD</b>	77°15' - 33°25'	<b>OPERATION</b>	Focus (w/lock) Zoom (w/lock) Iris DC
<b>APERTURE (D/F')</b>	1/1.0	<b>DIMENSION</b>	Diameter 33 x 41.5 x 46.5 mm		



YOUR POINT OF CONTACT